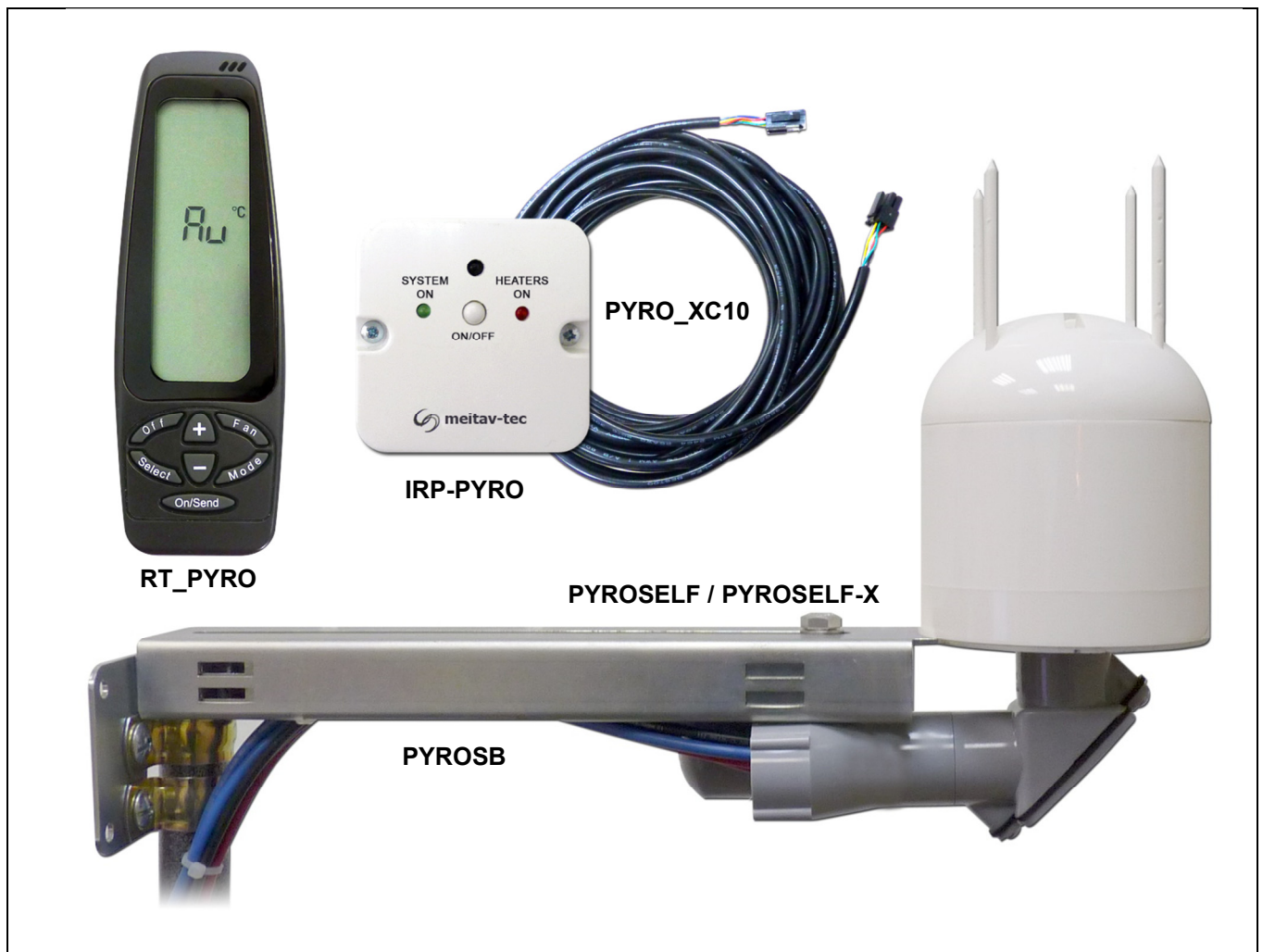


Features & Benefits

- Snow Sensor & controller for Light commercial and residential use
- Energy Efficient algorithm
- User friendly programming and setting adjustment using large LCD display remote control
- Up to 2 zones activation (24A each 110-240VAC)
- Sequencing option between the zones – Allowing larger snow melting area with less available power on site
- Optional indoor panel – IR receiver (PYROSELF-X)
- Adjustable Set-points
- Manual and Automatic modes. Selected by physical switch or using the remote control
- Adjustable Upper and Lower Limit Temperature
- Adjustable Hold-On-OFF Delay and Manual On
- Adjustable splitting time between the zones with multi configurations between zones
- Technician testing / commissioning mode for easy and fast system test all year long (even during summer or at high temp)
- Plastic spikes preventing birds from nesting



PYROSELF | Configurable Snow sensor and controller with 2 x 24A load outputs

Items list

Item	Part #	Description
Sensor & control	PYROSELF	Snow sensor and controller for Snow/Ice melting
	PYROSELF-X	Snow sensor and controller for Snow/Ice melting w/ Indoor wall mounted control panel (IRP_PYRO)
Remote Control	RT_PYRO	Operation and technical settings interface
Indoor IR receiver	IRP_PYRO	wall mounted IR receiver with indication LEDs and push button
Mounting bracket	PYROSB	Wall mounted, adjusted metal fixture
Extension cable	PYRO-XC10	10m Extension cable for IRP_PYRO

Description

The PYROSELF is the ultimate "All in One" Snow Sensor & controller for Light commercial and residential use. A "Plug and Play" controlled for frost protection, ice and snow melting applications.

When receiving a signal from the built-in snow sensor, it activates the contactors energizing the heating elements. Based on the configuration and settings, the two outputs to the two zones are activated together or in staggering mode.

The outdoor temperature set-point as well as the ambient lower limit temperature can be easily set by the remote control.

The parameters that can be modified are as follow:

- Temperature set point
- Lower ambient temperature limit
- Time delay (Hold-on) before deactivating the heaters in Automatic mode
- ON time for Manual mode
- Heaters cycle time / Splitting time between the 2 zones
- Number of zones and sequence of operation
- Snow sensor RH sensitivity
- Snow sensor threshold
- Commissioning mode for technicians

The Technician Settings mode allows installer or technician to adjust the parameters for customized installations using the remote control.

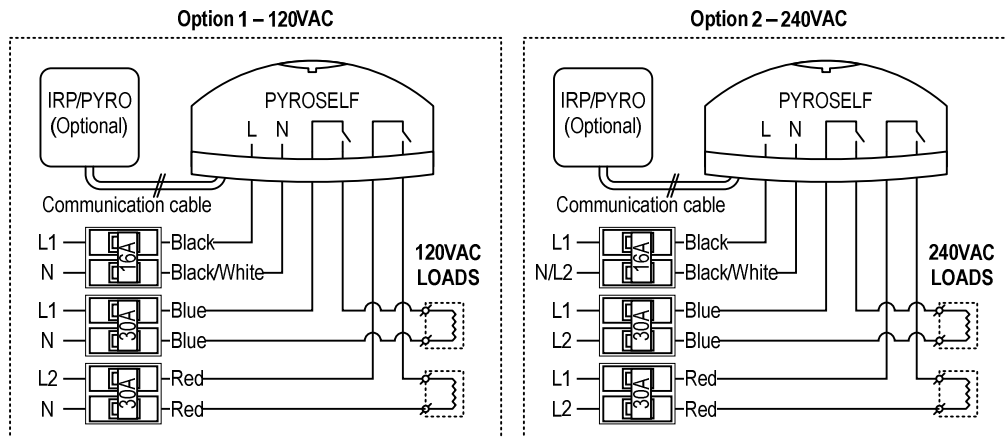
The adjustable Hold-On timer, keeps the outputs to the zones active to ensure complete snow melting.

The Hold-On (Time delay) is adjustable in the range of 0 up to 48 hours.

Installing the system is a quick and easy task. Apart of mounting the metal box to the wall, the installer needs only to connect the line in and line out wires in the marked terminals and the system is ready to work.

PYROSELF | Configurable Snow sensor and controller with 2 x 24A load outputs

Wiring diagrams



Technical specifications

General

Area of use	Nonhazardous locations outdoor use
Approvals	UL (E471283) listed

Control

Supply	110-240VAC 50/60 HZ
Load	Load switching – 2 X 24A
Max. Ratings Voltage	240 VAC. Current: 48 Amps
Heater hold-on timer	0 to 300 minutes - adjustable
System test	Manual Switching from the remote control, For testing and commissioning mode
Operation status Indication	3 Leds (Green, Red, Yellow)

Enclosure

Water & Dust	NEMA Type 4 (IP67) for residential type
Mounting	Wall mounted using the PYROSB or aerial on a pole using 3/4" conduit
4spikes	Rejects bird nesting
Material	Polycarbonate

Temperature sensor (internal)

Adjustable S.P. range	14°F to 50°F (-10°C to +15°C)
Sensor type	Sealed Thermistor (NTC)

Remote control (RT_PYRO)

Display	LCD
Power	2 x AAA Batteries
Mounting	Wall plastic holder (included)

Indoor wall unit (IRP_PYRO)

Type	Wall mounted
Power supply	24V (From the PYROSELF)

Extension cable (PYRO-XC10)

Length	10m
Type	6 wires, isolated

The performance specifications are nominal and conform to acceptable industry standards. For applications at conditions beyond these specifications, consult the local Meitav-tec office or representative. Meitav-tec shall not be liable for damages resulting from misapplication or misuse of its products.

This document is subject to change without any notice.

© Copyright 2016 Meitav-tec Ltd'. All rights reserved.