



6TLC1-TP-PA, 6TLC2-TP-PA

6TLC-TP-PA (standard 10 feet cold lead) terminated and plug-in self-regulating heating cable 120V & 240V - 6W



6TLC1-TP-PA

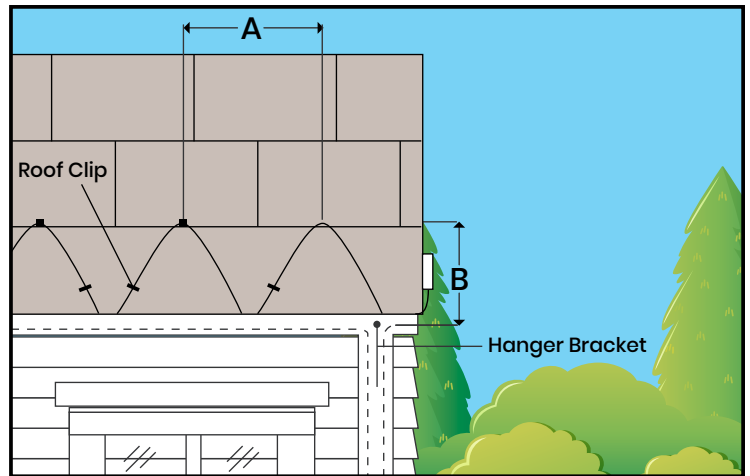
6TLC2-TP-PA

OPTIONAL ON REQUEST :

Longer cold lead are available up to 50 feet.

These heating cables provide, roofs and gutter systems protection from damage due to freezing, and can be used in residential and commercial applications. The cables automatically adjust heat output according to the ambient temperature conditions. Under cooler conditions the heat output increases, and as the temperature rises the output decreases to save on energy. The cables are available in various pre-assembled lengths.

- 120V / 240V
- Comes in pre-cut lengths, sealed with cold lead and plug (120V only)
- Cold lead only.
- Suitable for plastic or metal gutters and downspouts.
- Suitable for roofs, shingled and metal.
- Will not overheat if overlapped.



SPECIFICATION	
Jacket	Thermoplastic
Chemical Resistance	Aqueous inorganic solutions
Nominal Cable Width (in/mm)	0.23 in. / 5.8 mm
Nominal Cable Thickness (in/mm)	0.42 in. / 10.6 mm
Bus Wire Gauge (AWG)	16
Cold Lead Length (ft/m)	10' / 3.048 m
Min. Circuit Breaker Size (Amps)	15
Maximum Exposure temperature (°F/°C)	185/85
Electrical Classification	Non Hazardous
Approvals	UL

6TLC1-TP-PA, 6TLC2-TP-PA

Cable Selection Chart



	Model	Length		Cold lead size AWG	Output on pipe @50°F/10°C	Output on pipe @40°F/5°C	Output on Snow-Ice @32°F/0°C	CND \$
		6W & 8W	Ft.					
120 V	6TLC1-TP-PA-006	6	1.82	18	36W	43W	57W	115.00\$
	6TLC1-TP-PA-012	12	3.65	18	72W	86W	114W	128.00\$
	6TLC1-TP-PA-018	18	5.48	18	108W	130W	171W	141.00\$
	6TLC1-TP-PA-024	24	7.31	18	144W	173W	228W	183.00\$
	6TLC1-TP-PA-037	37	11.28	18	225W	270W	356W	244.00\$
	6TLC1-TP-PA-050	50	15.24	16	300W	360W	475W	275.00\$
	6TLC1-TP-PA-062	62	18.90	16	375W	450W	594W	348.00\$
	6TLC1-TP-PA-075	75	22.86	16	450W	540W	712W	388.00\$
	6TLC1-TP-PA-087	87	26.52	16	525W	630W	831W	446.00\$
	6TLC1-TP-PA-100	100	30.48	16	600W	720W	950W	486.00\$
	6TLC1-TP-PA-112	112	34.14	14	675W	810W	1064W	525.00\$
	6TLC1-TP-PA-125	125	38.10	14	750W	900W	1187W	596.00\$
	6TLC1-TP-PA-137	137	41.76	14	825W	990W	1301W	660.00\$
	6TLC1-TP-PA-150	150	45.73	14	900W	1080W	1445W	708.00\$

	Model	Length		Cold lead size AWG	Output on pipe @50°F/10°C	Output on pipe @40°F/5°C	Output on Snow-Ice @32°F/0°C	CND \$
		6W & 8W	Ft.					
240 V	6TLC2-TP-PA-006	6	1.82	18	36W	43W	57W	102.00\$
	6TLC2-TP-PA-012	12	3.65	18	72W	86W	114W	120.00\$
	6TLC2-TP-PA-018	18	5.48	18	108W	130W	171W	138.00\$
	6TLC2-TP-PA-024	24	7.31	18	144W	173W	228W	168.00\$
	6TLC2-TP-PA-037	37	11.28	18	225W	270W	356W	240.00\$
	6TLC2-TP-PA-050	50	15.24	16	300W	360W	475W	264.00\$
	6TLC2-TP-PA-062	62	18.90	16	375W	450W	594W	330.00\$
	6TLC2-TP-PA-075	75	22.86	16	450W	540W	712W	378.00\$
	6TLC2-TP-PA-087	87	26.52	16	525W	630W	831W	438.00\$
	6TLC2-TP-PA-100	100	30.48	16	600W	720W	950W	480.00\$
	6TLC2-TP-PA-112	112	34.14	14	675W	810W	1064W	534.00\$
	6TLC2-TP-PA-125	125	38.10	14	750W	900W	1187W	588.00\$
	6TLC2-TP-PA-137	137	41.76	14	825W	990W	1301W	642.00\$
	6TLC2-TP-PA-150	150	45.73	14	900W	1080W	1445W	702.00\$
	6TLC2-TP-PA-162	162	49.39	14	975W	1170W	1544W	750.00\$
	6TLC2-TP-PA-175	175	53.35	14	1050W	1260W	1622W	810.00\$
	6TLC2-TP-PA-200	200	60.97	14	1200W	1440W	1900W	930.00\$
	6TLC2-TP-PA-225	225	68.59	14	1350W	1620W	2137W	1,050.00\$
	6TLC2-TP-PA-250	250	76.21	14	1500W	1800W	2375W	1,170.00\$
6TLC2-TP-PA-290	290	88.4	14	1740W	2050W	2665W	1,375.00\$	
6TLC2-TP-PA-325	325	99	14	1950W	2340W	3045W	1,575.00\$	

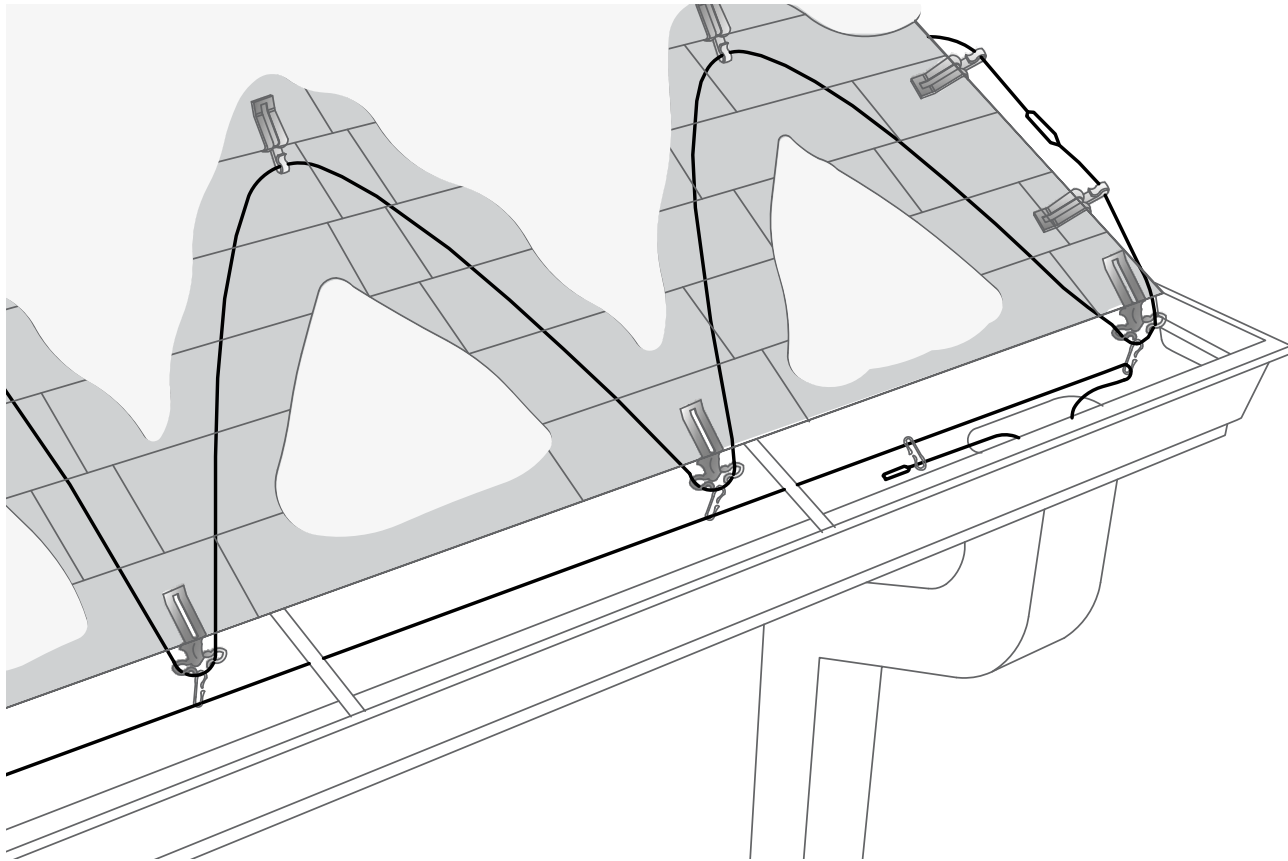
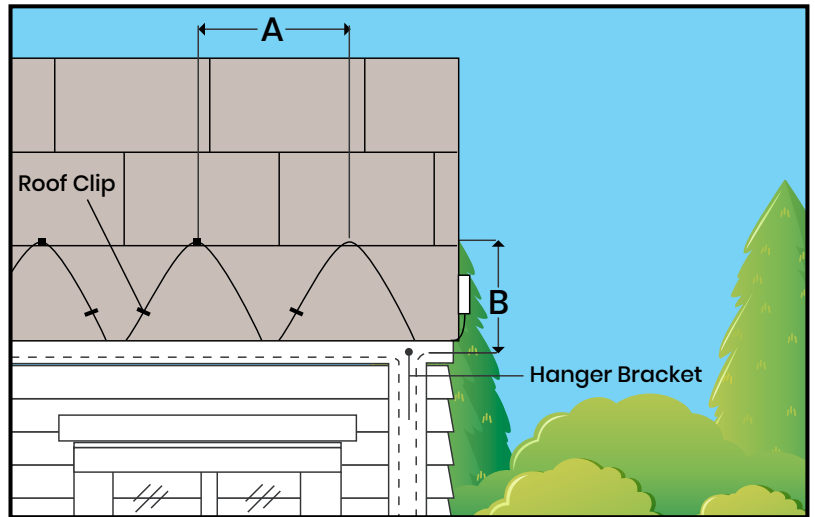
Prices subject to change without notice.



6TLC1-TP-PA, 6TLC2-TP-PA

6TLC-TP-PA self-regulating heating cable installation

1. Determine length of roof overhang using Table 1, choose appropriate "A Spacing Factor" for either shingled or metal roof.
2. Determine the length of roof edge, gutters and downspout.
3. Calculate cable required using the following.
 Cable required =
 [Roof edge length x spacing factor]
 + [Gutter length] + [2 x Downspout length] + 1ft.
4. Install as in diagram using the "A Spacing Factor" and the loop height B. Note cable runs up and down the full length of the downspout.



	Roof over hang	A - Spacing Factor (ft)		B - Loop height (in)	
		Shingle	Metal	Shingle	Metal
TABLE 1	None	1.9	2.5	18	18
	12"	2	2.5	18	24
	24"	2.7	3.5	30	36
	36"	3.6	4.5	42	48
	48"	4.5	5.5	54	60

Prices subject to change without notice.