



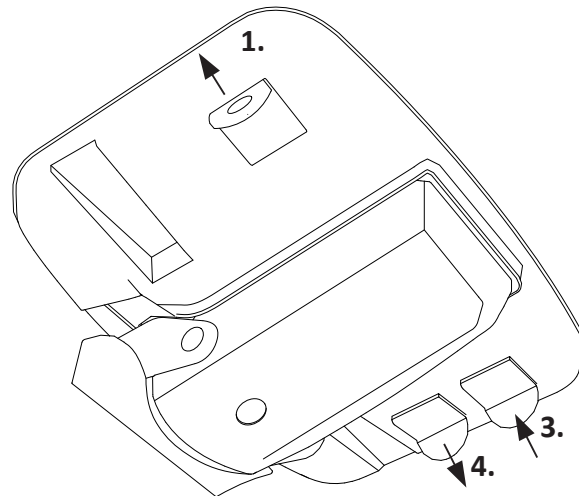
# USER GUIDE



DRUMBACK

# Instructions

## Mechanism



### **1- Seat height adjustment**

To lower the seat, stay seated and pull the lever up until the desired seat height is reached. To raise the seat, pull the lever while lifting your weight off the seat.

### **2- Backrest height adjustment (not shown)**

To adjust the height of the backrest, simultaneously open the two handles located on each side of the backrest frame. Raise or lower the backrest to the desired position, then close the two handles.

### **3- Tilt lock**

To release the tilt, push the lever inward and push the backrest using your back. To lock the tilting into one of the 4 positions, move the backrest using your back and push the lever inward again.

### **4- Seat depth adjustment**

Pull the lever, slide the seat forward or backward until the adequate position is reached and then release the lever.

# Instructions

## Armrests

### Ergonomic Armrests

#### 1- Width adjustment

To adjust the width, push out the lever located under the seat to unlock the clamping system. To increase or decrease width, push or pull the armrest until the desired position is reached. Relock the clamping system. Make sure that the distance between the armrest and the seat is the same on both sides.

#### 2- Height adjustment

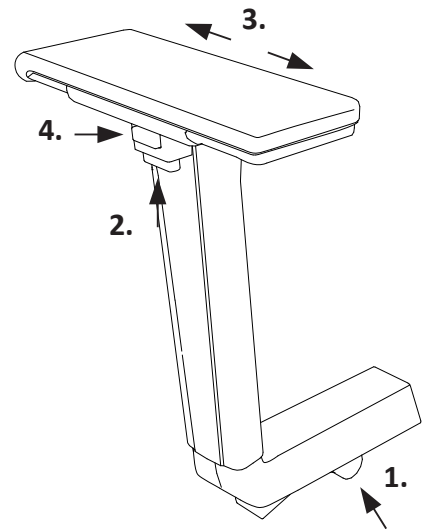
To adjust height, push the button located on the outside of the arm structure and slide armrest up or down to desired position. Release button. Make sure that both armrests are at the same height.

#### 3- Arm pads position

Push or pull the arm pads forward-rearward motion until the desired position is reached.

#### 4- Arm pads angle adjustment

Press and keep the button under the arm pads and rotate to 60° inward or outward to the desired position. Make sure that both armrests are at the same angle.



# Maintenance guide

Bouty products are made of premium materials that will provide you with many years of service and comfort.

## **Fabrics**

Fabrics and mesh are made of polyester. For cleaning, use a water-based or foam cleaning agent. Rinse well with a clean sponge to remove traces of the water-based cleaning agent. Note that this fabric dries very quickly.

## **Mechanism and gas lifts**

When needed, if you hear friction noises, lubricate the joints of the mechanism and gas lift with a very small quantity of clear silicone based lubricant spray.

## **Casters**

Periodically clean the casters to remove the dust and other accumulated dirt, like hair for instance.