



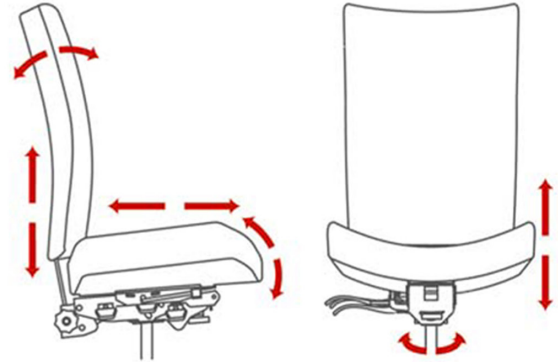
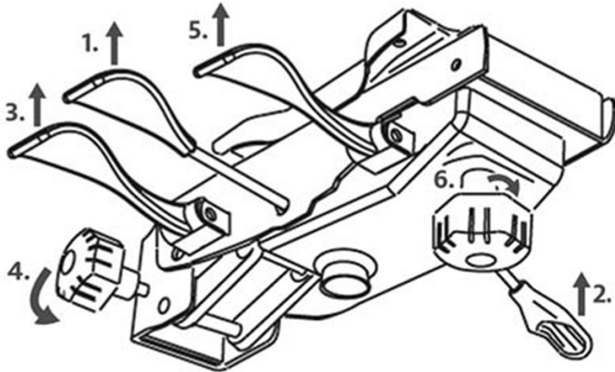
USER GUIDE



QUATRA

Instructions

Mechanism



1- Seat height adjustment

To lower the seat, stay seated and pull the lever up until the desired seat height is reached. To raise the seat, pull the lever while lifting your weight off the seat.

2- Seat depth adjustment

Pull the lever up, slide the seat forward or backward until the adequate position is reached and then release the lever.

3- Backrest angle adjustment

Bend forward to release pressure off the backrest. Pull the lever up, apply pressure with your back to position the backrest and release the lever.

4- Backrest height adjustment

Loosen the knob and slide the backrest up or down it adequately supports the lumbar region. Once set, tighten the knob.

5- Tilt lock

To allow the chair to tilt, pull the lever up. To lock the tilt option, push the lever down.

6- Tilt tension adjustment

To adjust the tilt tension to the user's weight and position on the chair, turn the knob clockwise to increase the tension and counter clockwise to decrease it.

Instructions

Armrests

Ergonomic Armrests

1- Width adjustment

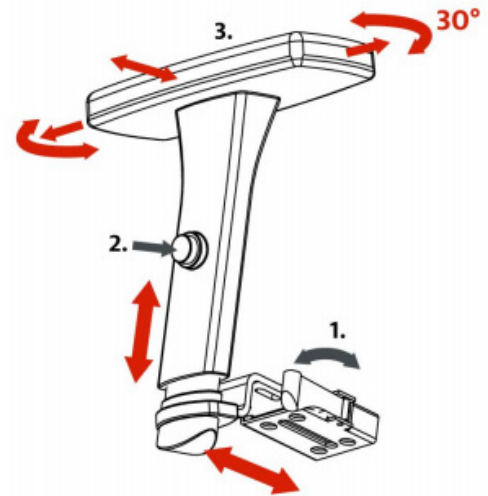
Unlock the clamping system by turning the cam lever located under the seat towards the interior of the chair. To increase or decrease width, pull or push the armrest until the desired position is reached. Relock the clamping system by pivoting the cam lever back to its initial position (towards the exterior of the chair). Make sure that the distance between the armrest and the seat is the same on both sides.

2- Height adjustment

Push the button located in the middle of the vertical part and slide the armrest up or down to the desired position. Release button. Make sure that both arms are at the same height.

3- Arm pad position adjustment

Push or pull them in their forward-rearward or left-right axis and rotate to the desired position.



Premium Armrests

1- Width adjustment

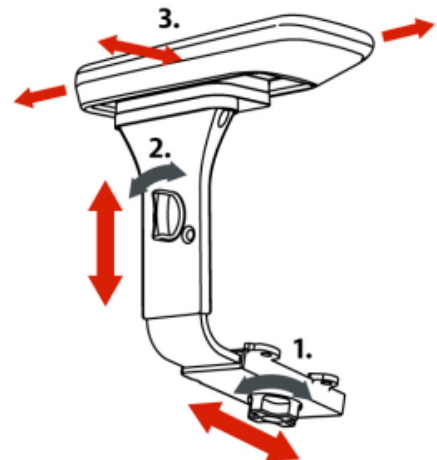
Turn the knob located under the seat. To increase width, turn the knob counter clockwise until the desired position is reached. To decrease width, turn the knob clockwise. Make sure that the distance between the armrest and the seat is the same on both sides.

2- Height adjustment

Turn the knob located on the vertical surface of the armrests. To increase height, turn the knob counter clockwise to the desired position. To decrease height, turn the knob clockwise. Make sure that both armrests are at the same height by verifying that both dials (located near the knob) show the same number.

3- Arm pad position adjustment

Push or pull the arm pad in a forward-rearward or left-right motion to the desired position.



Maintenance guide

Bouty products are made of premium materials that will provide you with many years of service and comfort.

Fabrics

Fabrics and mesh are made of polyester. For cleaning, use a water-based or foam cleaning agent. Rinse well with a clean sponge to remove traces of the water-based cleaning agent. Note that this fabric dries very quickly.

Mechanism and gas lifts

When needed, if you hear friction noises, lubricate the joints of the mechanism and gas lift with a very small quantity of clear silicone based lubricant spray.

Casters

Periodically clean the casters to remove the dust and other accumulated dirt, like hair for instance.