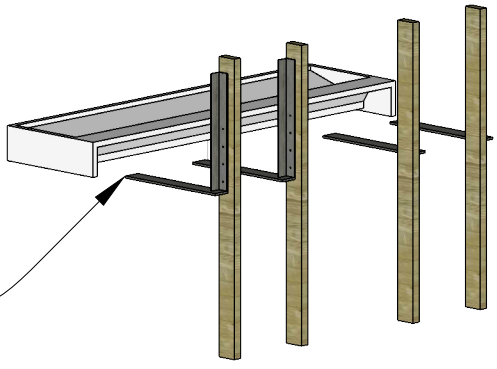


Rituel

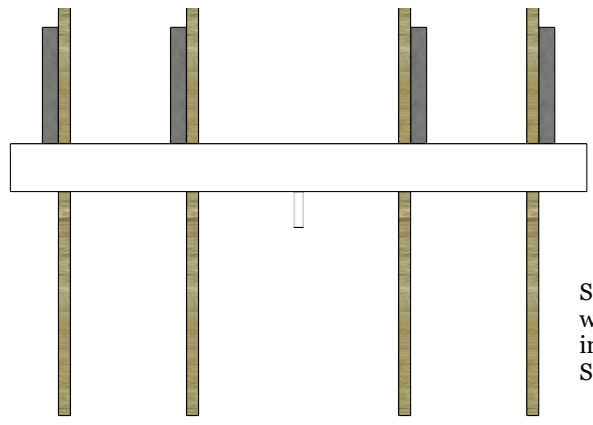
par Pur Béton

Cuv 72B

wall mount



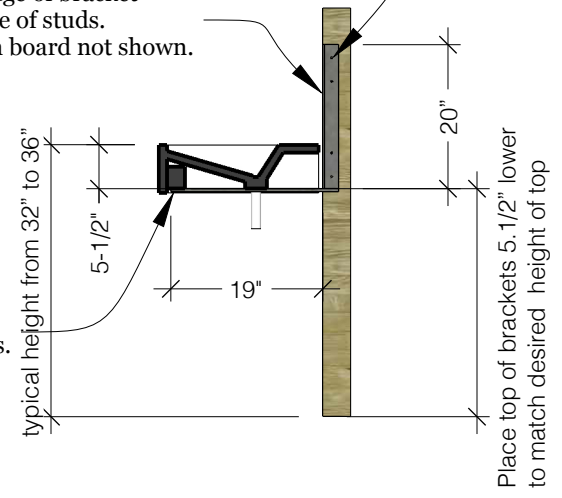
Install all 4 brackets aligned and levelled



Screw 2 x #10 x 1.1/4" long. wood screws per brackets into factory glued wood blocks. Supplied with bracket kit.

Align edge of bracket with face of studs. Gypsum board not shown.

Use 4 lag bolts 5/16" dia x 1-1/2" per Bracket Supplied with bracket kit



General notes
 Pur Béton work to tolerances of +/- 1/8" on all dimensions. It is the responsibility of the client to verify that all dimensions and said tolerances are suitable for the purpose of the project.

Importante note:
 refer to product sheet:
 CuV 72B
 Br 19/20
 Cuv 72B_wm
 Available on our web site:
www.purbeton.com

Wall mount Cuv 72B
 Bracket Kit necessary: 2 x Br_19/20
 To be used with sink model: Cuv: 72B
 Included with Bracket kit
 4 Brackets 19" x 20" Left and Right
 16 lag screws 5/16" dia. x 1-1/2" long.
 8 x #10 1.1/4" long. wood screws.

Cuv 72B_WM



178 Rang Duncan
 St-Chrysostome (Québec)
 Canada J0S 1R0
 514 886-2444
 info@purbeton.com
 purbeton.com