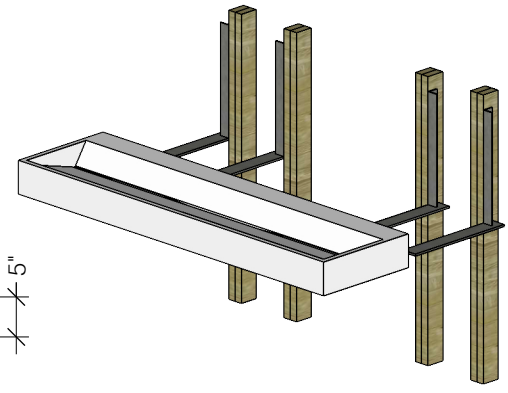
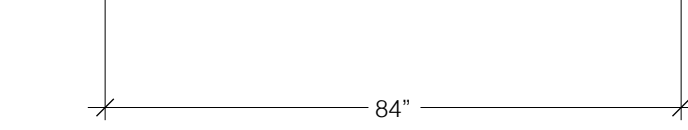
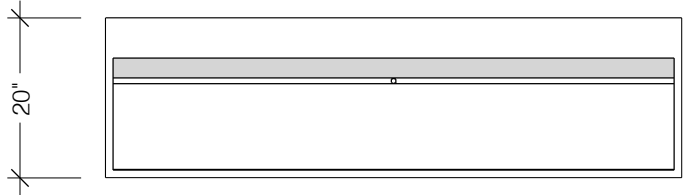


From 48" to 36"  
Refer to product sheet for detailed dimensions of sink.

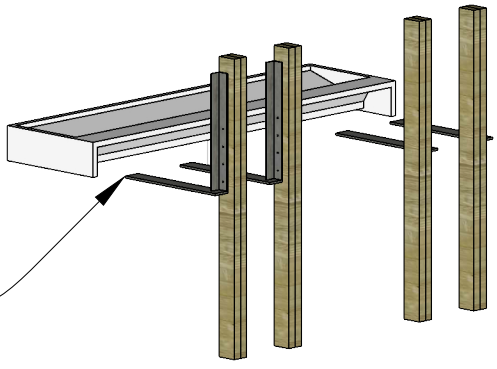


# Rituel

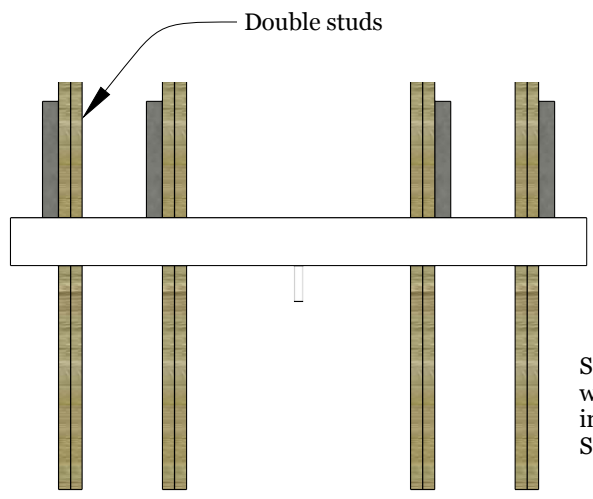
par Pur Béton

## Cuv 84B

### wall mount



Install all 4 brackets aligned and levelled

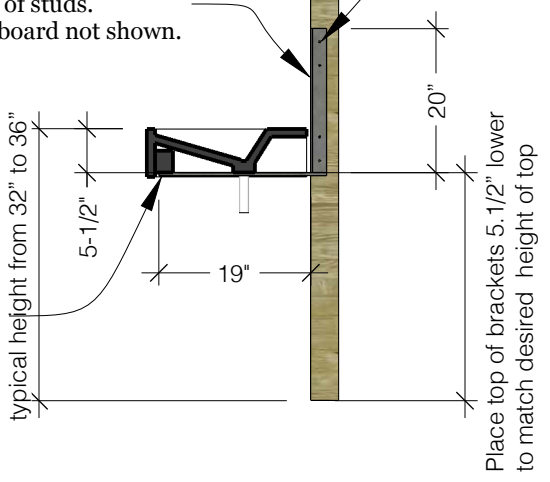


Double studs

Screw 2 x #10 x 1.1/4" long wood screws per brackets into factory glued wood blocks. Supplied with bracket kit.

Align edge of bracket with face of studs. Gypsum board not shown.

Use 4 lag bolts 5/16" dia x 2-1/2" per Bracket Supplied with bracket kit



Place top of brackets 5.1/2" lower to match desired height of top

**General notes**  
Pur Béton work to tolerances of +/- 1/8" on all dimensions. It is the responsibility of the client to verify that all dimensions and said tolerances are suitable for the purpose of the project.

**Importante note:**  
product sheet

CuV 84B  
Br 19/20  
Cuv 84B\_wm

Available on our web site:

[www.purbeton.com](http://www.purbeton.com)

Wall mount Cuv 84B

Bracket Kit necessary: 2 x Br\_19/20

To be used with sink model: Cuv: 84B

Included with Bracket kit  
4 Brackets 19" x 20" Left and Right  
16 lag screws 5/16" dia. x 2-1/2" long.  
8 x #10 1.1/4" long wood screws.

Cuv 84B\_WM



178 Rang Duncan  
St-Chrysostome (Québec)  
Canada J0S 1R0  
**514 886-2444**  
[info@purbeton.com](mailto:info@purbeton.com)  
**purbeton.com**