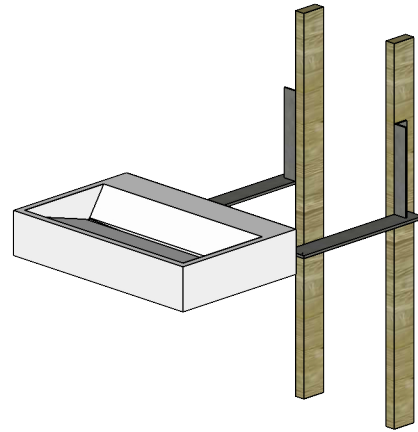
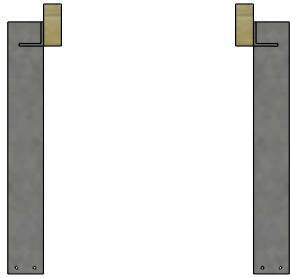


from 20" to 15" spacing of studs
refer to product sheet for more
detailed dimensions of sink.



Rituel

par Pur Béton

Cuv 30B wall mount

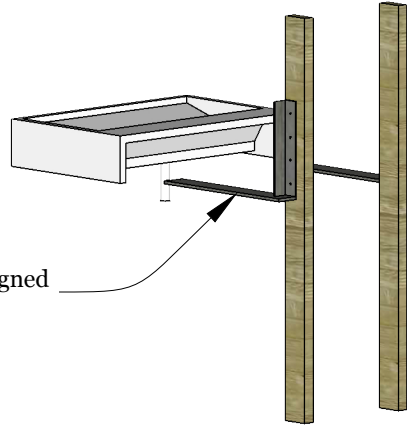
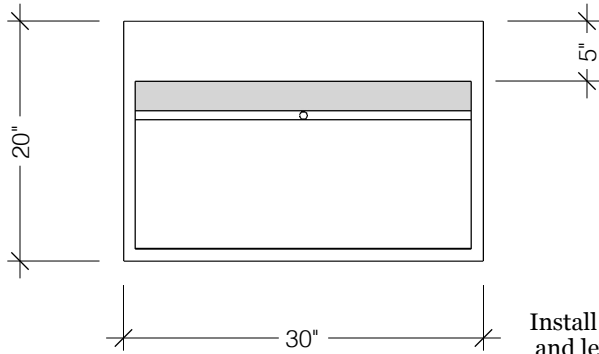
General notes
Pur Béton work to tolerances of +/- 1/8" on all dimensions. It is the responsibility of the client to verify that all dimensions and said tolerances are suitable for the purpose of the project.

Importante note:
Refer to product sheet

CuV 30B
Br 19/12
Cuv 30B_wm

Available on our
web site:

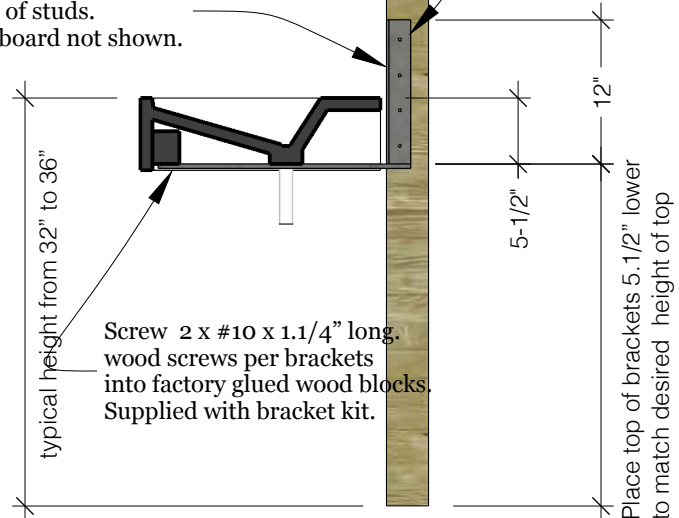
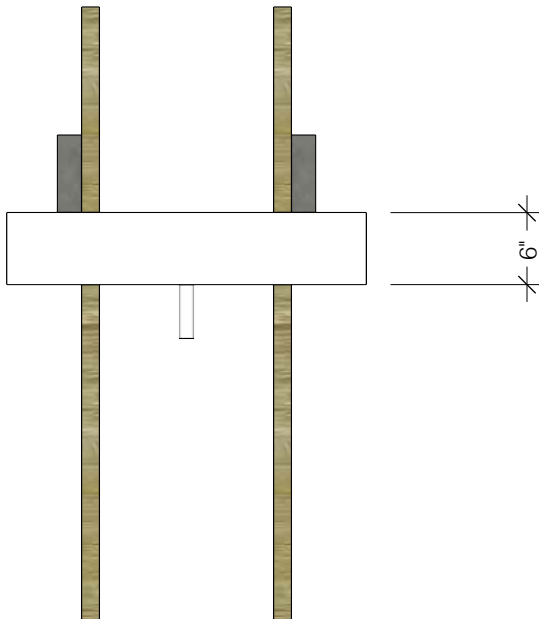
www.purbeton.com



Install Brackets aligned
and levelled.

Use 4 lag bolts
5/16" dia x 2-1/2"
per Bracket
Supplied with bracket kit

Align edge of bracket
with face of studs.
Gypsum board not shown.



Wall mount Cuv 30B

Bracket Kit necessary:
Br_19/12

To be used with sink model:
Cuv: 30B

Included with Bracket kit
2 Brackets 19" x 12" Left and
Right
8 lag screws 5/16" dia. x
2-1/2" long.
4 x #10 1.1/4" long wood
screws.

Cuv 30B_WM



178 Rang Duncan
St-Chrysostome (Québec)
Canada J0S 1R0
514 886-2444
info@purbeton.com
purbeton.com