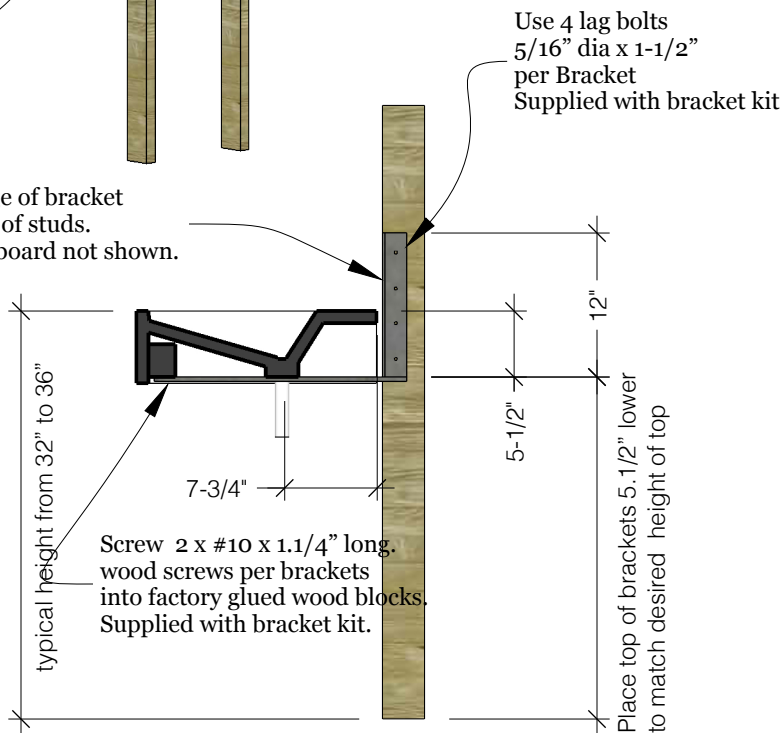


Install Brackets aligned and levelled.

Align edge of bracket with face of studs.
Gypsum board not shown.



Use 4 lag bolts 5/16" dia x 1-1/2" per Bracket Supplied with bracket kit

Screw 2 x #10 x 1.1/4" long. wood screws per brackets into factory glued wood blocks. Supplied with bracket kit.

Rituel

par Pur Béton

Cuv 24B

wall mount

General notes
Pur Béton work to tolerances of +/- 1/8" on all dimensions. It is the responsibility of the client to verify that all dimensions and said tolerances are suitable for the purpose of the project.

Importante note:
Refer to product sheet

CuV 24B
Br 19/12
Cuv 24B_wm

Available on our web site:
www.purbeton.com

Wall mount Cuv 24B

Bracket Kit necessary:
Br_19/12

To be used with sink model:
Cuv: 24B

Included with Bracket kit
2 Brackets 19" x 12" Left and Right
8 lag screws 5/16" dia. x 1-1/2" long.
4 x #10 1.1/4" long. wood screws.

Cuv 24B_WM



178 Rang Duncan
St-Chrysostome (Québec)
Canada J0S 1R0
514 886-2444
info@purbeton.com
purbeton.com