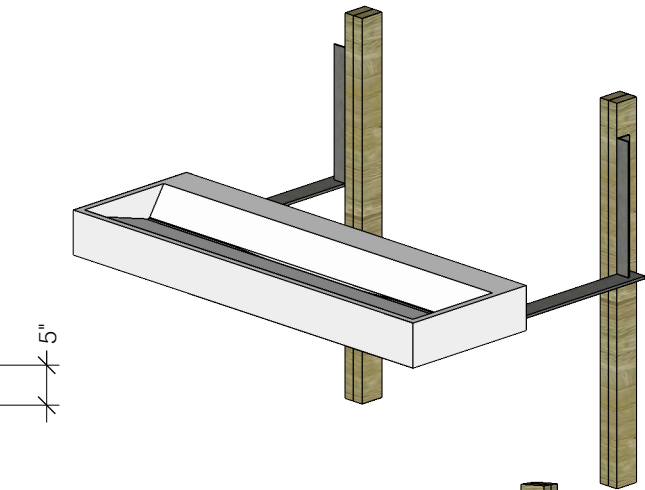


Double wood studs

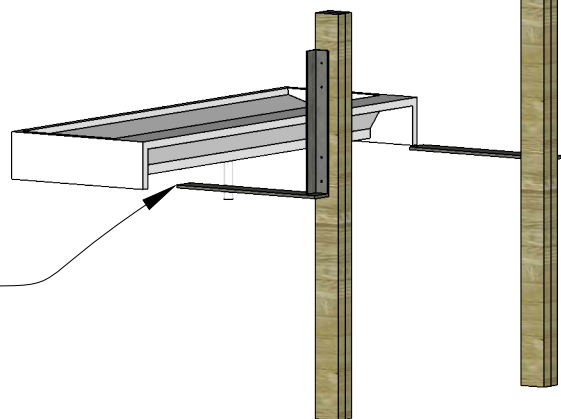


Rituel

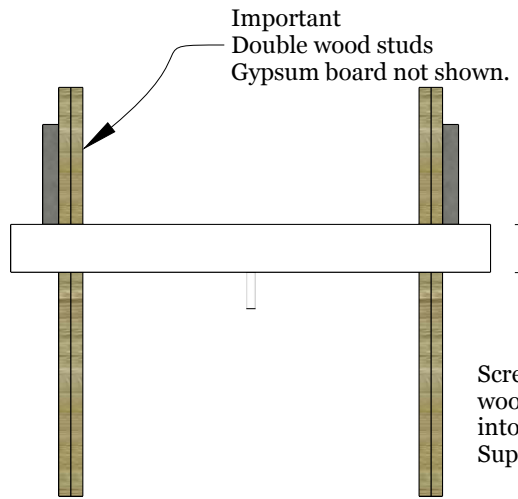
par Pur Béton

Cuv 60B

wall mount



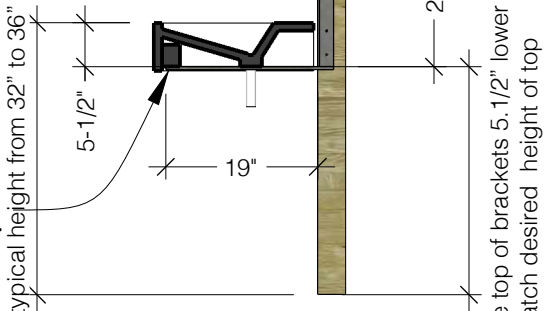
Install Brackets aligned and levelled.



Screw 2 x #10 x 1.1/4" long. wood screws per brackets into factory glued wood blocks. Supplied with bracket kit.

Align edge of bracket with face of studs. Gypsum board not shown.

Use 4 lag bolts 5/16" dia x 2-1/2" per Bracket Supplied with bracket kit



General notes

Pur Béton work to tolerances of +/- 1/8" on all dimensions. It is the responsibility of the client to verify that all dimensions and said tolerances are suitable for the purpose of the project.

Importante note:

Refer to product sheet

CuV 60B
Br 19/20
Cuv 60B_wm

Available on our web site:
www.purbeton.com


Wall mount Cuv 60B

Bracket Kit necessary:
Br_19/20

To be used with sink model:
Cuv: 60B

Included with Bracket kit
2 Brackets 19" x 20" Left and Right
8 lag screws 5/16" dia. x 2-1/2" long.
4 x #10 1.1/4" long. wood screws.

Cuv 60B_WM



178 Rang Duncan
St-Chrysostome (Québec)
Canada J0S 1R0
514 886-2444
info@purbeton.com
purbeton.com