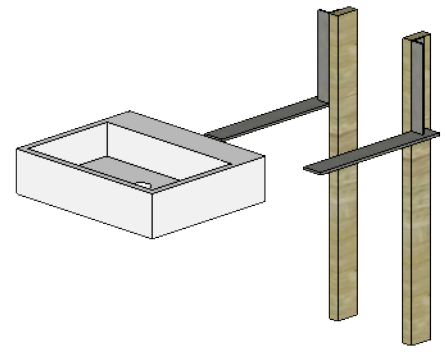
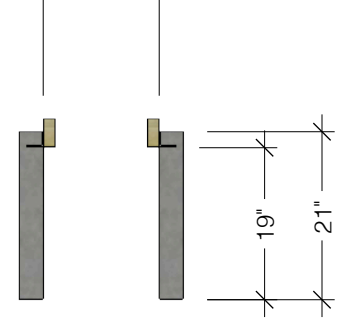


From 12-1/2" to 14-1/2" stud spacing

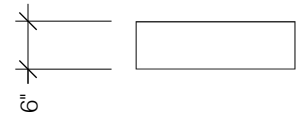
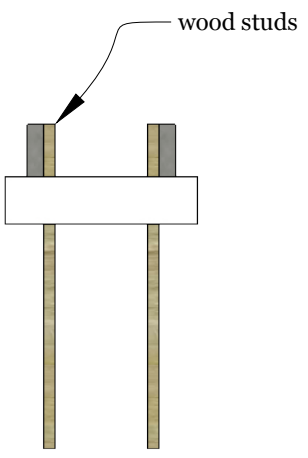
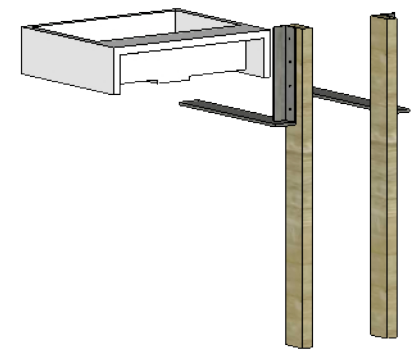
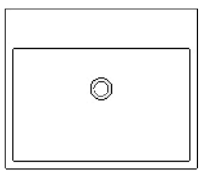


# Rituel

par Pur Béton

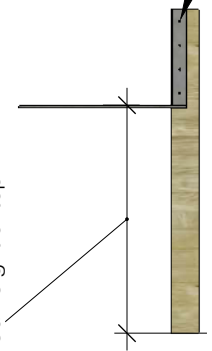
## Rekto 24B

### wall mount



Use 4 lag bolts  
1/4" dia x 1-1/2"  
per Bracket

place 5-1/2" lower to  
match desired height of top



#### General notes

Pur Béton work to tolerances of +/- 1/8" on all dimensions. It is the responsibility of the client to verify that all dimensions and said tolerances are suitable for the purpose of the project.

#### Tap holes for surface mounted taps.

Pur Béton work to tolerances of +/- 1/4" on all positioning and hole diameters of taps holes.

It is the client responsibility to specify the proper hole patterns and positioning necessary for proper fit of taps.

A supplemental drawing will then be issue by Pur Béton and a signature will be ask to confirm positioning of hole pattern prior to manufacturing.

#### Product description:

Concrete bathroom sink  
Suitable for wall or surface mounting.  
Design for use with wall mounted taps.  
Compatible with all standard 1.1/4" dia. waste.  
Available with or without brackets.  
  
Length: 24"  
Width: 20"  
Height: 6"  
Weight: 80 lbs  
  
2 Brackets

#### Rekto 24B



178 Rang Duncan  
St-Chrysostome (Québec)  
Canada J0S 1R0  
**514 886-2444**  
info@purbeton.com  
**purbeton.com**