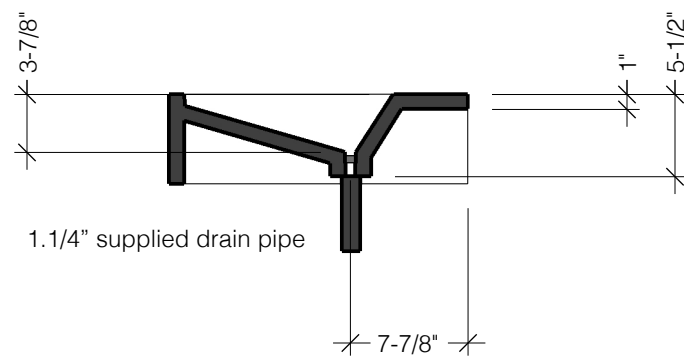
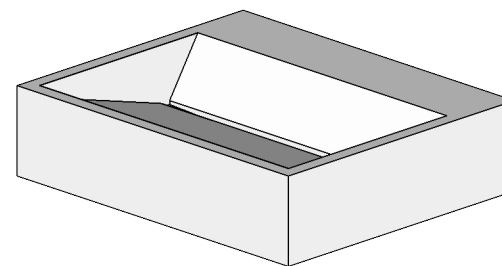


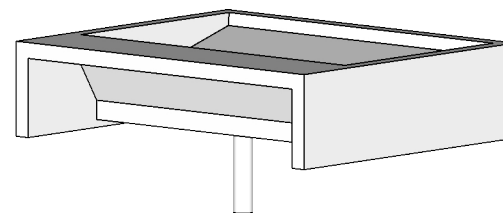
Rituel

par Pur Béton

CuV 24B



Section A-A



General notes

Pur Béton work to tolerances of +/- 1/8" on all dimensions. It is the responsibility of the client to verify that all dimensions and said tolerances are suitable for the purpose of the project.

Tap holes for surface mounted taps.

Pur Béton work to tolerances of +/- 1/4" on all positioning and hole diameter of tap holes.

It is the client responsibility to specify the proper hole patterns and positioning necessary for proper fit of tap.

A supplemental drawing will then be issued by Pur Béton and a signature will be asked to confirm positioning of hole pattern prior to manufacturing.

Product description:

Concrete bathroom sink

Suitable for wall or surface mounting.

Design for use with surface mounted taps. Compatible with all standard taps.

Available with or without brackets.

Supplied with 5" long, 1.1/4" dia. chrome drain pipe.

Length: 24"

Width: 20"

Height: 6"

Weight: 75 lbs

CuV 24B



178 Rang Duncan
St-Chrysostome (Québec)
Canada J0S 1R0
514 886-2444
info@purbeton.com
purbeton.com