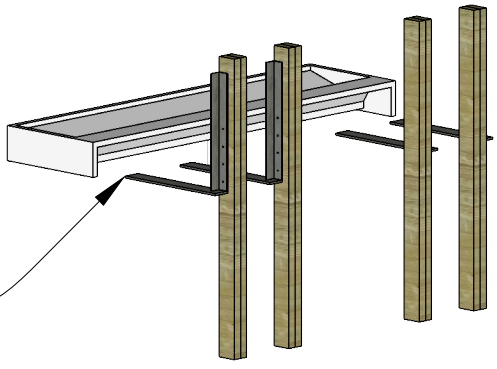


Rituel

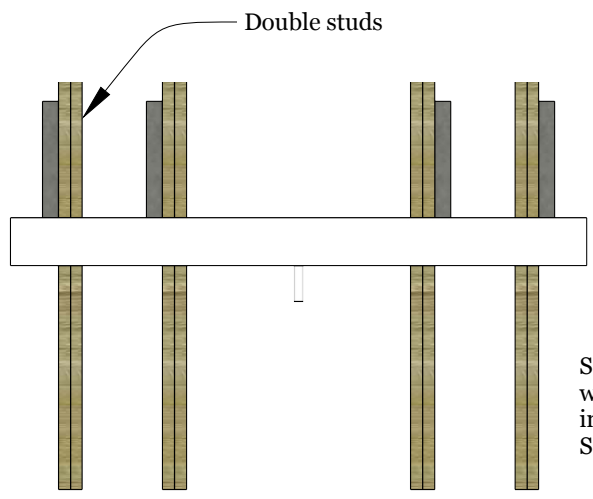
par Pur Béton

Cuv 96B

wall mount



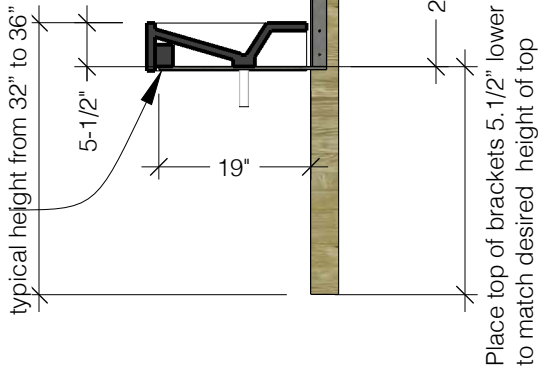
Install all 4 brackets aligned and levelled



Align edge of bracket with face of studs.
Gypsum board not shown.

Use 4 lag bolts
5/16" dia x 2-1/2"
per Bracket
Supplied with bracket kit

Screw 2 x #10 x 1.1/4" long.
wood screws per brackets
into factory glued wood blocks.
Supplied with bracket kit.



General notes
Pur Béton work to tolerances of +/- 1/8" on all dimensions. It is the responsibility of the client to verify that all dimensions and said tolerances are suitable for the purpose of the project.

Importante note:
product sheet

CuV 96B
Br 19/20
Cuv 96B_wm

Available on our
web site:

www.purbeton.com

Wall mount Cuv 96B

Bracket Kit necessary: 2 x
Br_19/20

To be used with sink model:
Cuv: 96B

Included with Bracket kit
4 Brackets 19" x 20" Left and
Right
16 lag screws 5/16" dia. x
2-1/2" long.
8 x #10 1.1/4" long wood
screws.

Cuv 96B_WM



178 Rang Duncan
St-Chrysostome (Québec)
Canada J0S 1R0
514 886-2444
info@purbeton.com
purbeton.com