

Rituel

par Pur Béton

Cuv 30

wall mount

General notes

Pur Béton work to tolerances of +/- 1/8" on all dimensions. It is the responsibility of the client to verify that all dimensions and said tolerances are suitable for the purpose of the project.

Note:

Refer to product sheet

Cuv 30
Br 15/20
Cuv 30_wm

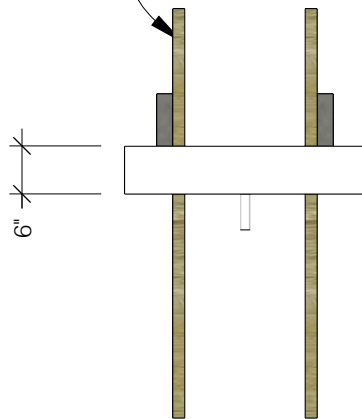
Available on our web site:
www.purbeton.com

Wall mount Cuv_30

Bracket kit necessary:
Br_15/20

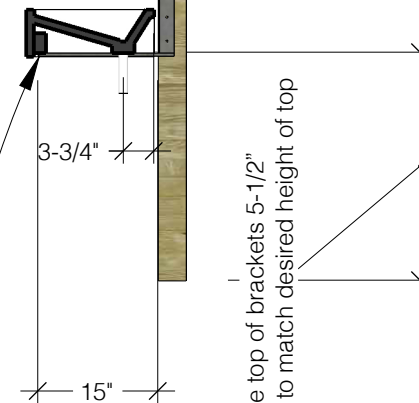
Included with Bracket kit
2 Brackets, left and right.
8 lag screws 1/4" dia. x 1.1/2" long.
4 #10 screws.

wood studs or steel studs reinforced with wood



Screw 2 x #10 x 1.1/4" long. wood screws per brackets into factory glued wood blocks. Supplied with bracket kit.

Use 4 lag bolts 1/4" dia x 1-1/2" per Bracket



Locate top of brackets 5-1/2" lower to match desired height of top

Cuv 30_WM



178 Rang Duncan
St-Chrysostome (Québec)
Canada J0S 1R0
514 886-2444
info@purbeton.com
purbeton.com