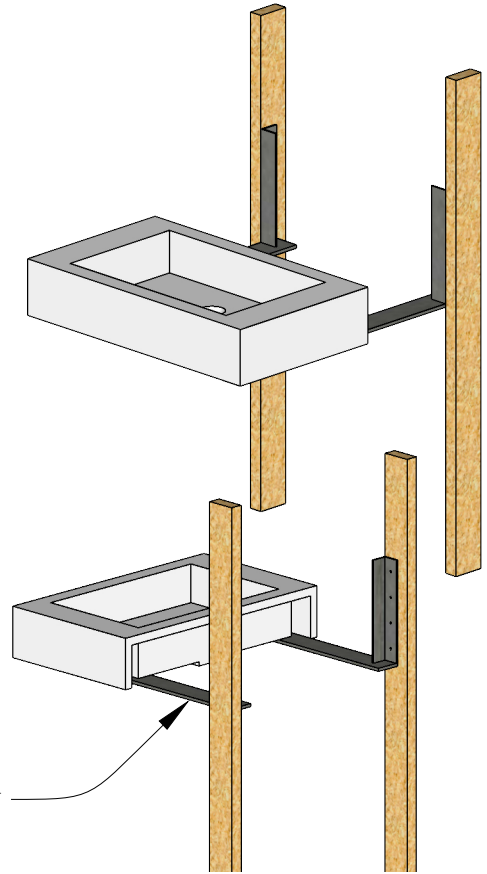
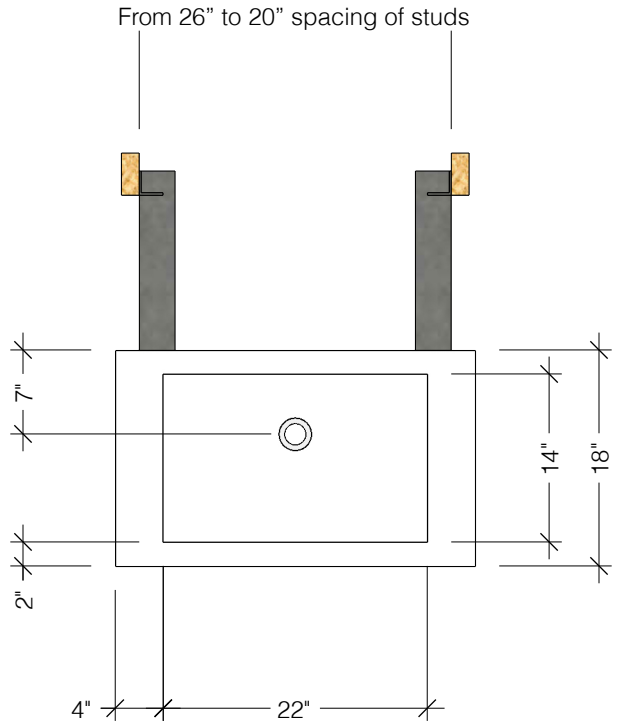


General notes
 Pur Béton work to tolerances of +/- 1/8" on all dimensions. It is the responsibility of the client to verify that all dimensions and said tolerances are suitable for the purpose of the project.



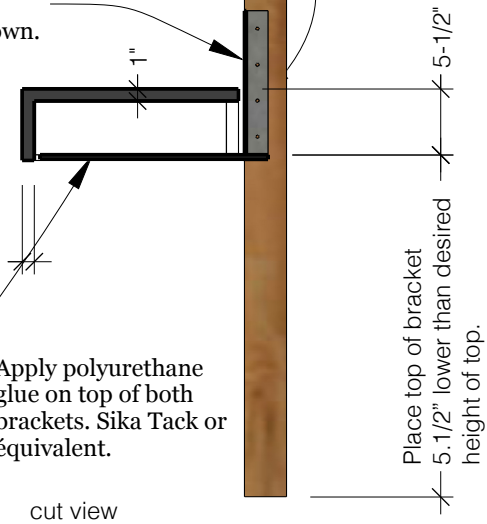
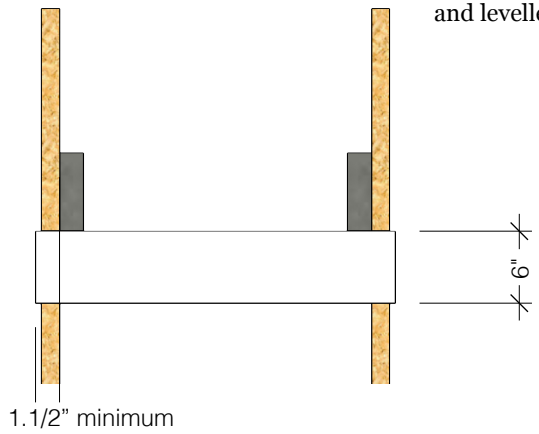
Rekto 22_30 wall mount



Install Brackets aligned and levelled.

Align edge of bracket with face of studs.
 Gypsum board not shown.

Use 4 lag bolts
 5/16" dia x 1-1/2"
 per Bracket
 Supplied with bracket kit



Wall mount: Rekto 22_30

Bracket Kit necessary:
 Br_19/12

Included with Bracket kit
 2 Brackets 17" x 12" Left and Right
 8 lag screws 5/16" dia. x 1-1/2" long.

Rekto 22_30WM



178 Rang Duncan
 St-Chrysostome (Québec)
 Canada J0S 1R0
514 886-2444
 info@purbeton.com
 purbeton.com